



KAVIAN

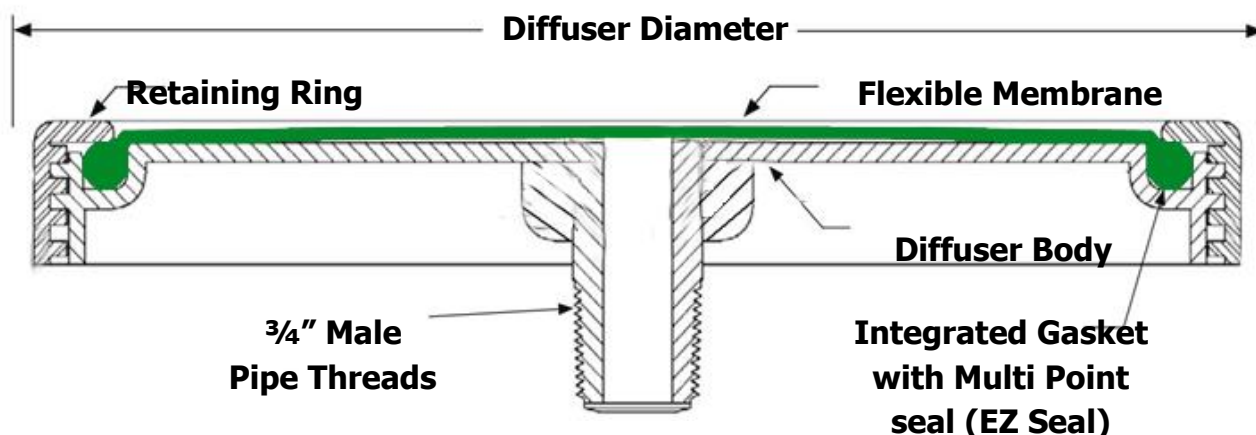
Data Sheet

Kavian Ozone Disc Diffuser



Specifications

Installation drawing



Material

Rubber Membrane Layer	Body Material
Silicon	Stainless steel 304



Dimensions and size

Diameter	Body height	Height of connection pipe	Membrane Diameter
Ø 180 mm	20 mm	25 mm	Ø 140 mm

Air Flow

Air flow rates at standard operation conditions	max overload/maintenance air flow rate	Operating temperature	Operation mode	Application
1 m ³ /h	2 m ³ /h	0 – 150 °C	Intermittent continuous	Ozone Injection



تهران - خیابان فاطمی روبروی هتل لاله پلاک ۲۷۷ طبقه ۲ واحد ۳

Tel: +98 21 88 85 42 95 – 97

Web Site: www.kavian-tech.com

E-mail: kavianco88@gmail.com